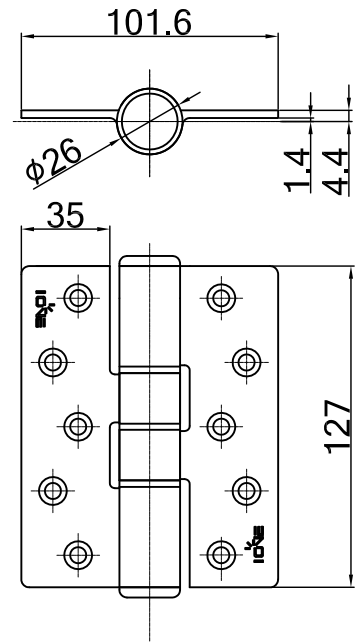
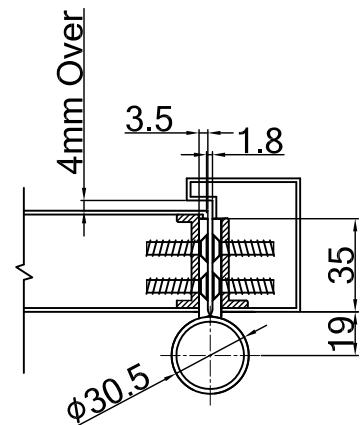
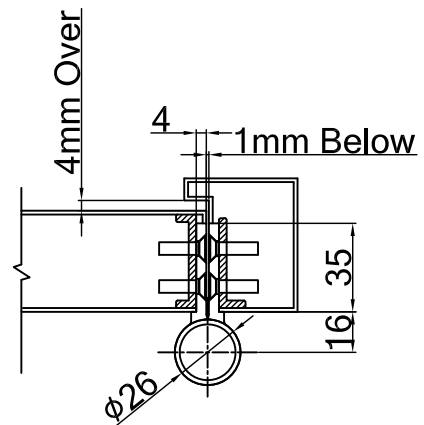
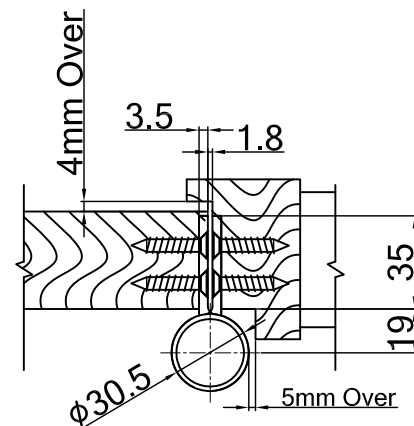
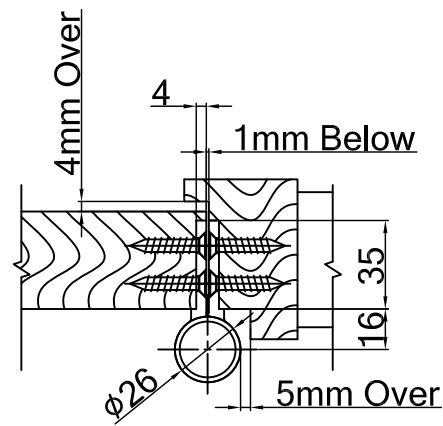
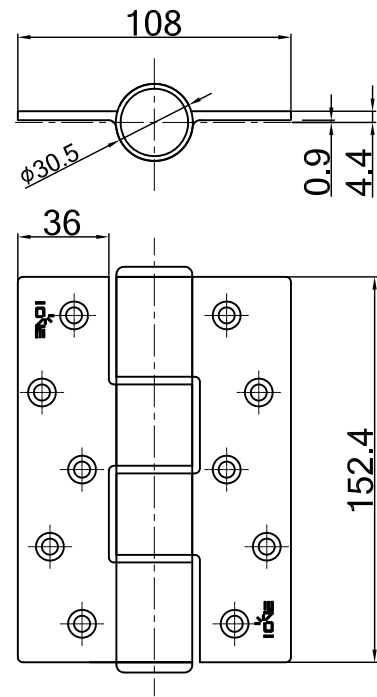


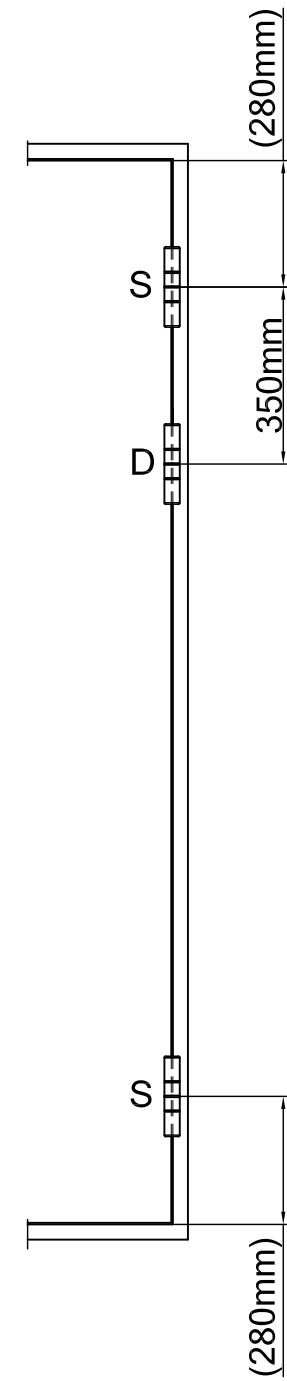
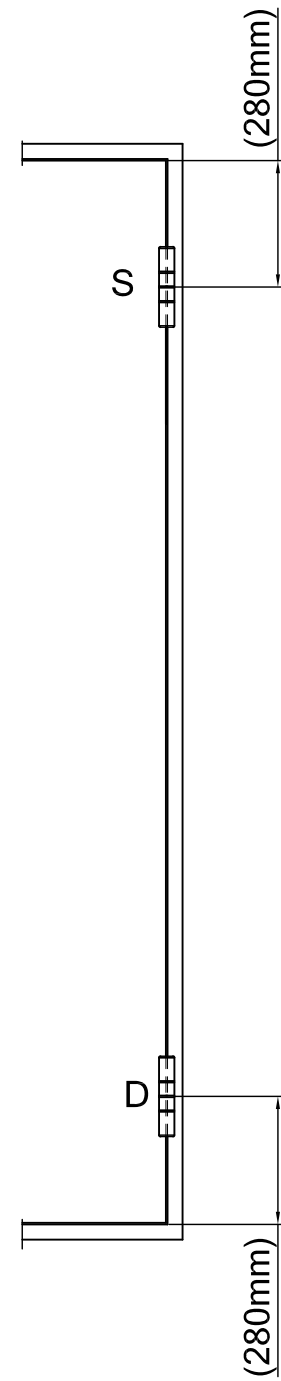
Bm80-SD



Bm120-SD



▷ Installation



※ Note

- 1. S : Spring hinge
- 2. D : Damper hinge